

CU Light

- Wet location listed fixture that is suitable for wall or ceiling mounting.
- Operates on 120V

BOX CONTENT

- (1) Light Fixture
- (1) 13w CFL Bulb
- (1) Mounting Plate
- (4) Screws
- (3) Wire Nuts

ROUND OR OCTAGON JUNCTION BOX NOT INCLUDED

SPARE PARTS

- 13w CFL Bulb (PN 104073)

LOCATION AND INSTALLATION

! WARNING Installation to be performed by a qualified and licensed electrician.

IMPORTANT NOTE: Install CU Light in accordance with National and local electrical codes.

IMPORTANT NOTE: A wall switch should be used to turn the light on and off. The CU light will not work if used with a dimmer switch.

! WARNING DO NOT install the wall switch in the steam room. The switch must be installed in a location and manner described in the NEC and local electric codes.

! WARNING Ensure that the power is not supplied to the field wiring during installation, turn off power at breaker panel, or remove fuse at fuse box.

! WARNING Do not install the CU light within 2 feet of the steam head or in direct contact with continuous water spray. Do not install the light where it could become submerged.

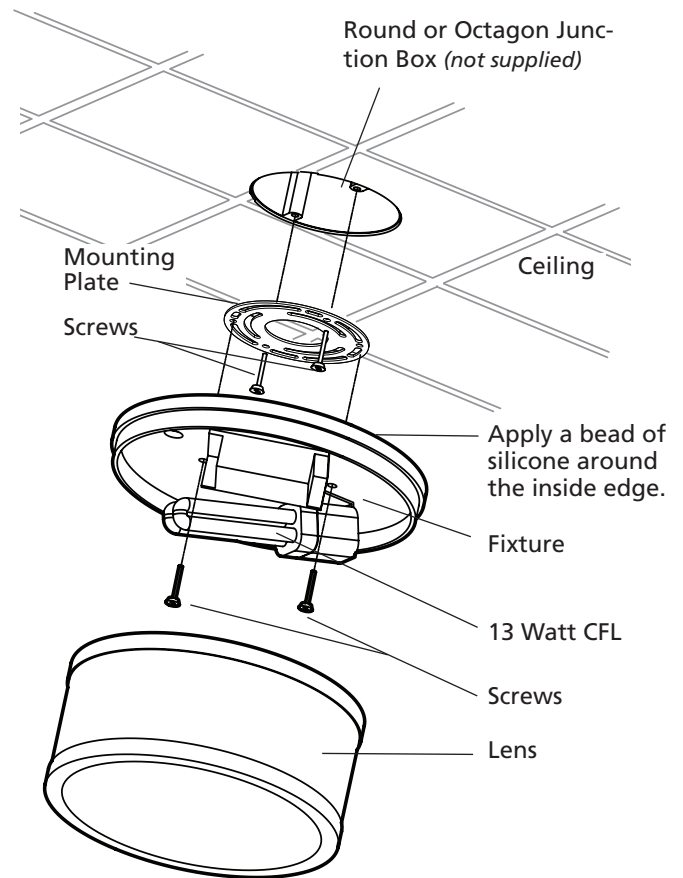
Refer to PUR 100454 for complete installation details and instructions.

NOTE: FOR ILLUSTRATIVE PURPOSES ONLY.

IMPORTANT: See Mr.Steam® Installation, Operation and Maintenance Manual, PUR 100454 for details.

Click here to download this manual:

<http://mrsteam.com/products/technical-downloads.html>



NOTE: Use only mild soap and water on a soft cloth to clean the exterior of the CU Light.

Do NOT use abrasive cleaners.